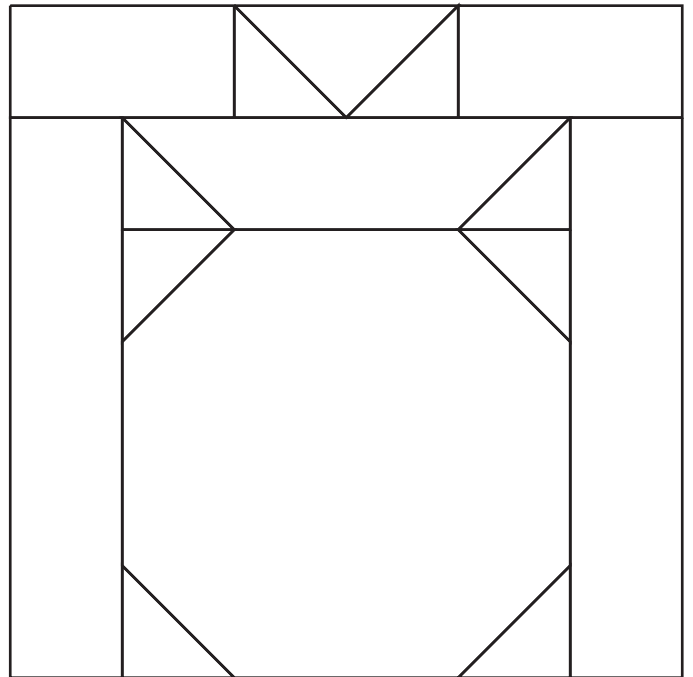
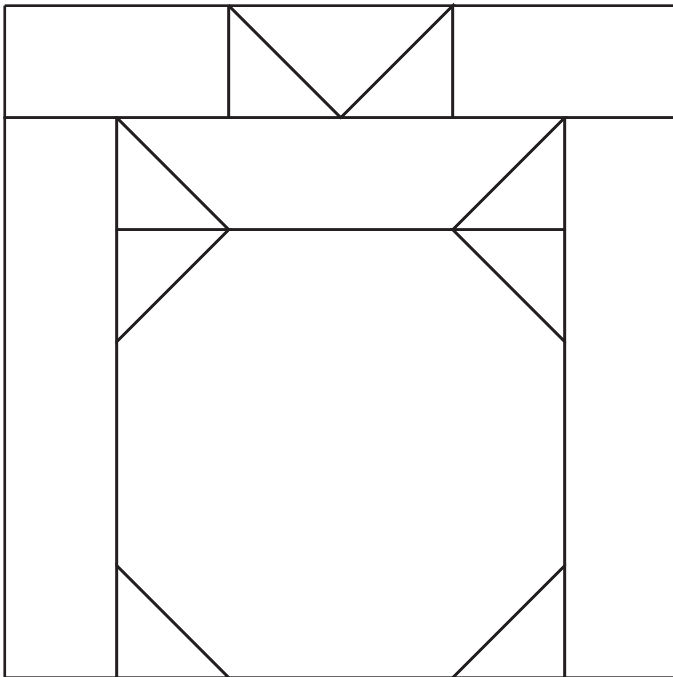
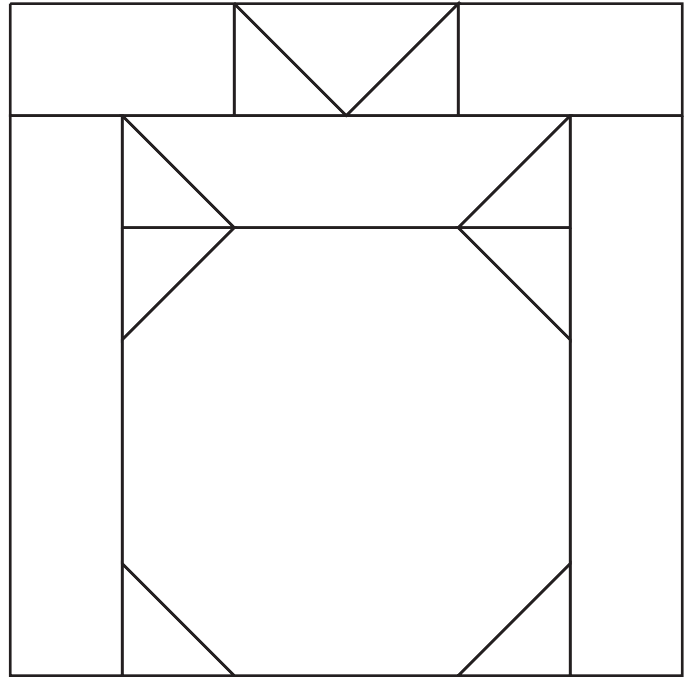
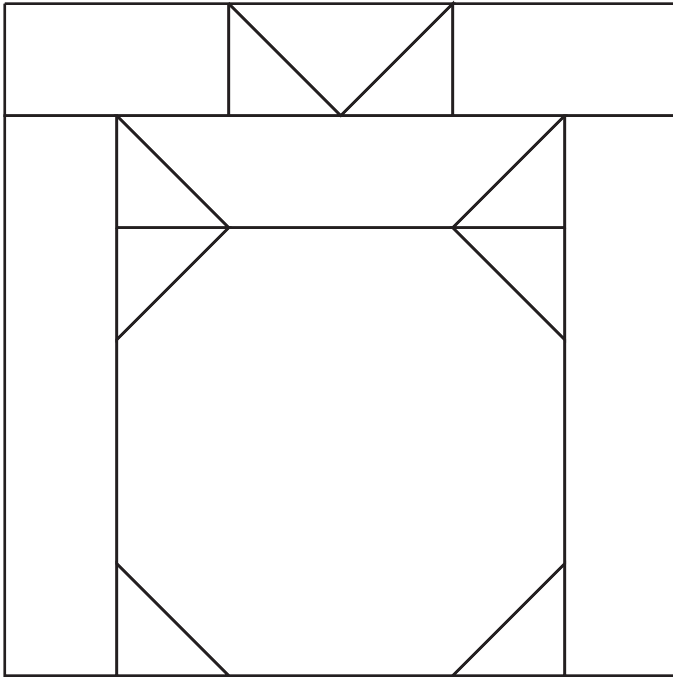


BLOCK HEADS

BLOCK 8 COLORING PAGE ROUND 2



ALTERNATE PINEAPPLE BLOCK BY COREY YODER

BLOCK HEADS

BLOCK 8 ALTERNATE PINEAPPLE BLOCK ROUND 2

For fabric choices refer to the block diagram

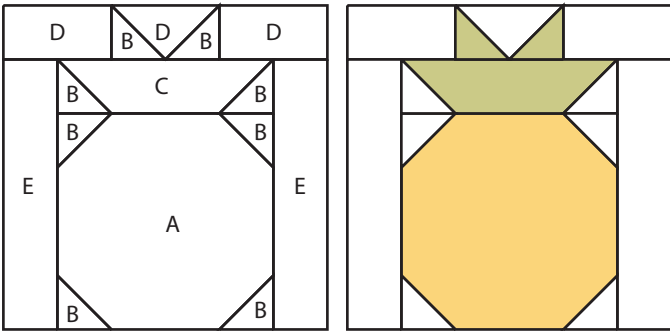
A: 1 square $4\frac{1}{2}'' \times 4\frac{1}{2}''$

B: 8 squares $1\frac{1}{2}'' \times 1\frac{1}{2}''$

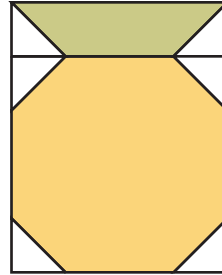
C: 1 rectangle $1\frac{1}{2}'' \times 4\frac{1}{2}''$

D: 3 rectangles $1\frac{1}{2}'' \times 2\frac{1}{2}''$

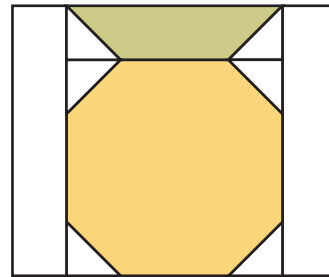
E: 2 rectangles $1\frac{1}{2}'' \times 5\frac{1}{2}''$



3. Sew the pieces made in Step 1 & Step 2 together.

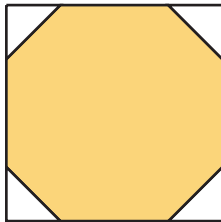


4. Sew the E rectangles to the sides of the unit made in Step 3.



ASSEMBLY

1. Referring to BASIC INSTRUCTIONS stitch and flip technique make pineapple center using the A square and 4 B squares.



2. Referring to BASIC INSTRUCTIONS stitch and flip technique make long leaf unit using the C rectangle and 2 B squares.



5. Referring to BASIC INSTRUCTIONS stitch and flip technique make short leaf unit using 1 D rectangle and 2 B squares.



6. Sew a D rectangle to the sides of the unit made in Step 5.



7. Sew the unit made in Step 6 to the top of the unit made in Step 4 to complete the block.

