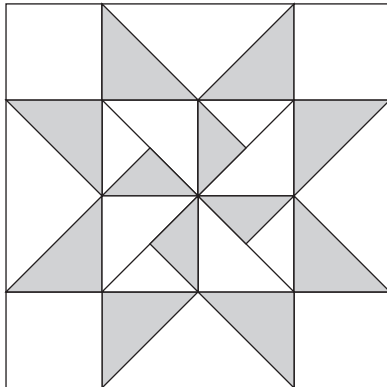




SCAN ME



## Indigo Light

by Debbie Maddy of Tiori Designs

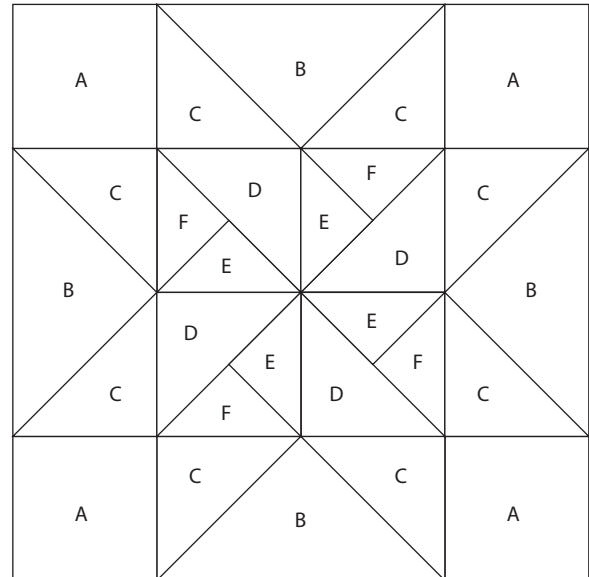
I love the star theme of BH5 because my quilting career began with patterns designed around stars. I like star patterns that are easy for the novice quilter to gain confidence before going on to set-in seams.

 @debbie\_maddy

 www.debbiemaddy.com

### Cutting Instructions

Qty	6" finished block	12" finished block
4	2" squares (A)	3 1/2" squares (A)
1	4 1/2" square (B)	7 1/2" square (B)
4	2 5/8" squares (C)	4 1/8" squares (C)
2	2 1/2" squares, cut in half diagonally (D)	4" squares, cut in half diagonally (D)
2	2" squares, cut in half diagonally (E)	3 1/2" squares, cut in half diagonally (E)
2	2" squares, cut in half diagonally (F)	3 1/2" squares, cut in half diagonally (F)



Use this block to plan color and fabric placement!

### My Swatches

A  B  C  D  E  F





## Piecing Instructions

### Step 1

On the wrong side of each C square, draw a line from one corner to the opposing corner as shown.

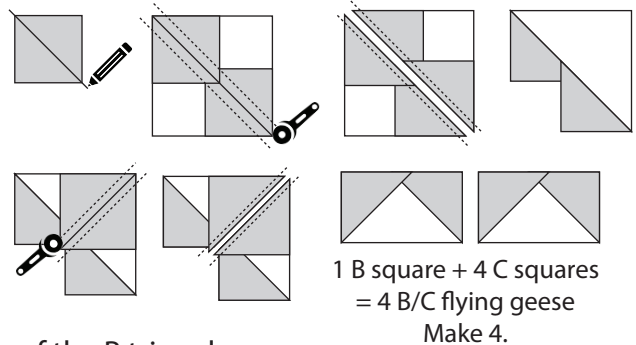
With right sides together, align 2 C squares in opposite corners of the B square.

Stitch a scant  $\frac{1}{4}$ " seam on both sides of the drawn line. Cut the square apart on the line to yield 2 partial flying geese units, and press the seams to the C triangles.

With right sides together, align another C square in the corner of the B triangle.

Stitch a scant  $\frac{1}{4}$ " seam on both sides of the drawn line. Cut the square apart on the line to yield 2 complete flying geese units, and press the seams to the C triangles.

Repeat to make 4 D/E flying geese units. Trim to 2" x 3  $\frac{1}{2}$ " (6" block) or 3  $\frac{1}{2}$ " x 6  $\frac{1}{2}$ " (12" block).

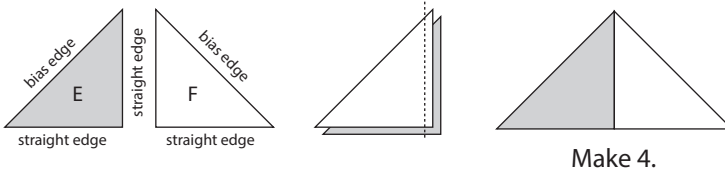


### Step 2

Place an E triangle and an F triangle right sides together as shown. Make sure you have aligned your triangles along the straight edge, not the longer bias edge created from cutting the E and F squares in half!


Join the triangles to make an E/F unit. Press seam to the darker print.

Repeat to make 4 E/F units.





## Get to know Debbie...

 I know the stars have aligned when...  
*My hands are blue from the indigo vat.*

 I'd be totally star-struck if I could meet...  
*Ina Garten.*

 If I could wish on a star, I'd wish for...  
*A joyful moment for everyone everyday.*

 Star Trek, Star Wars, or Dancing With the Stars?  
*Can I watch A Star is Born instead?*

 I thank my lucky stars that...  
*I found a fabulous second career that I love.*





## Piecing Instructions, continued

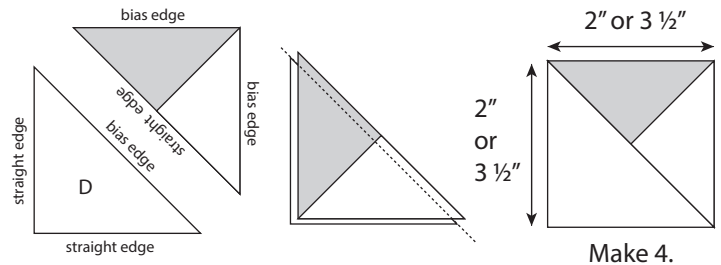
### Step 3

Place an E/F unit and a D triangle right sides together as shown. Make sure you align the bottom straight edge of your E/F unit with the bias edge of your D triangle.

*Note: Your E/F unit will be just a little larger than your D triangle.*

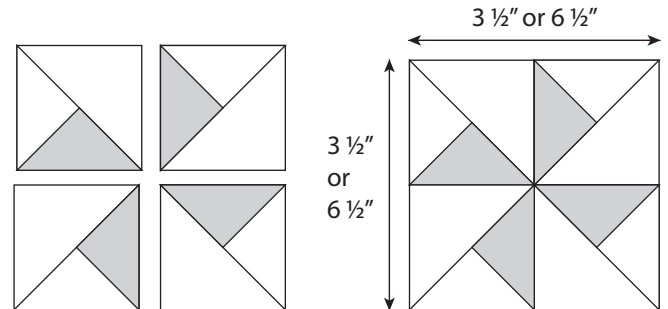
Join to make a split QST.

Repeat to make 4 split QSTs. Trim QSTs to 3 1/2" (6" block) or 6 1/2" (12" block).



### Step 4

Lay out 4 split QSTs as shown. Join to make a center unit measuring 3 1/2" (6" block) or 6 1/2" (12" block).

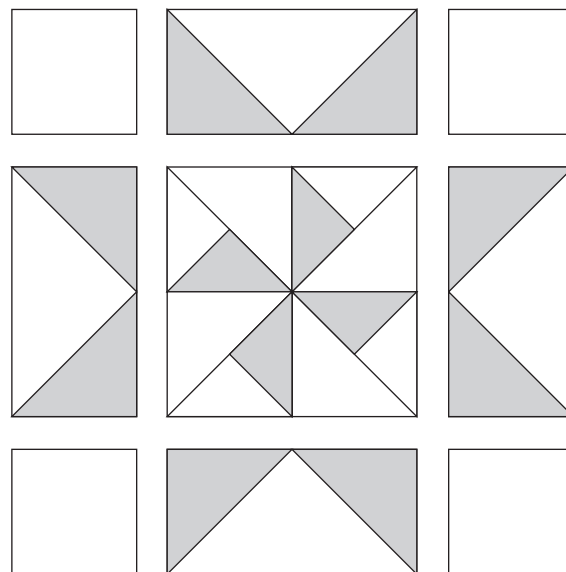


### Step 5

Lay out the 4 A squares, the flying geese, and the D/E/F split QSTs as shown.

Join units to make the full block.

Trim to 6 1/2" or 12 1/2".





**Additional Coloring Blocks**

